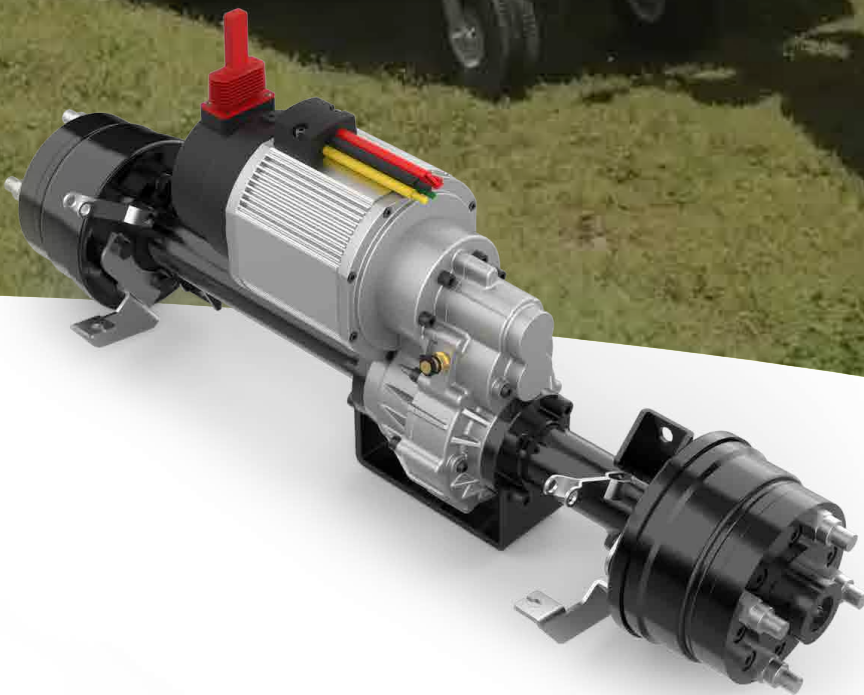


Transaxle for Electric dollys

Rotontek Low-Noise Electric drive Axle
All gear made by forged alloy steel Fine tooth grinding
Making your driving quieter and more comfortable



P2



Youtube



Quietness is a result due to quality material precision process



BLDC Electric Transaxle

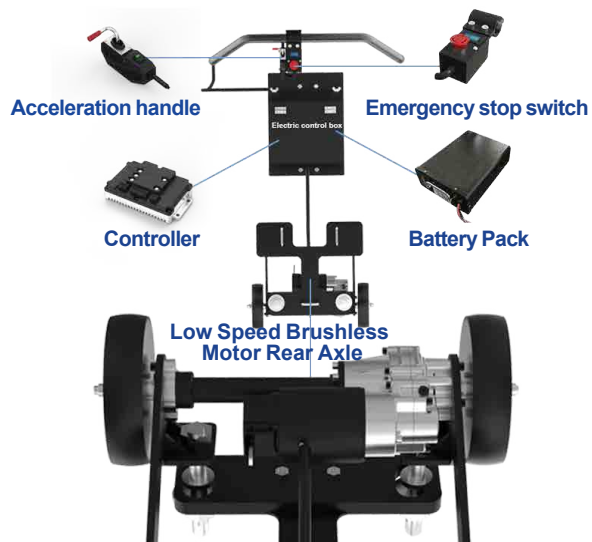
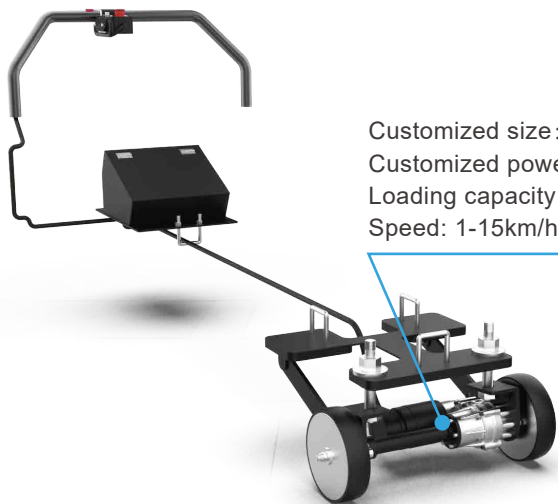


Rated voltage	Rated power	Transmission ratio	No-load speed	Rated torque	Motor efficiency	Motor diameter	Electromagnetic brake	Noise
DC 24V DC 48V	800W	1:43.9 1:26.35	80r/min 135r/m	102.7N.m 57.9N.m	85.34% 89.67%	Ø95.8	6Nm	≤62dB
	1000W		93r/min 180r/m	93.9 Nm 61.66N.m	85.34% 84.64%	Ø95.8	6Nm	
	1500W		100r/min 150r/m	139 N.m 82.53N.m	91.4% 91.47%	Ø115.4	10Nm	



Rated voltage	Rated power	Transmission ratio	No-load speed	Motor efficiency	Motor diameter	Electromagnetic brake	Carrying capacity	Noise
DC 24V DC 48V	800W-1500W	26.36 36 43.9	70-150RPM	90%	Ø116	6N.m 10N.m	1T	≤62dB

Electric dolly power drive assembly





ND420B 800 1300

Rated voltage	Rated power	Transmission ratio	No-load speed	Motor efficiency	Motor diameter	Electromagnetic brake	Motor Type	Noise
DC 36V-48V	800W 1300W	1: 43.9	100 RPM 95 RPM	79-86% 80%	Ø90 Ø120	6Nm 10Nm	Brushed	≤62dB

Drive Controller

300-800W DC Permanent Magnet Brushless Controller



ID200

Rated voltage	Continuous current	Peak current	CAN/SCI communication	Size
DC 24V/36V/48V	60 min ¹ 30A 1 min ² 60A	10 sec 75A	YES	165x96x46mm

2KW DC Permanent Magnet Brushless Controller

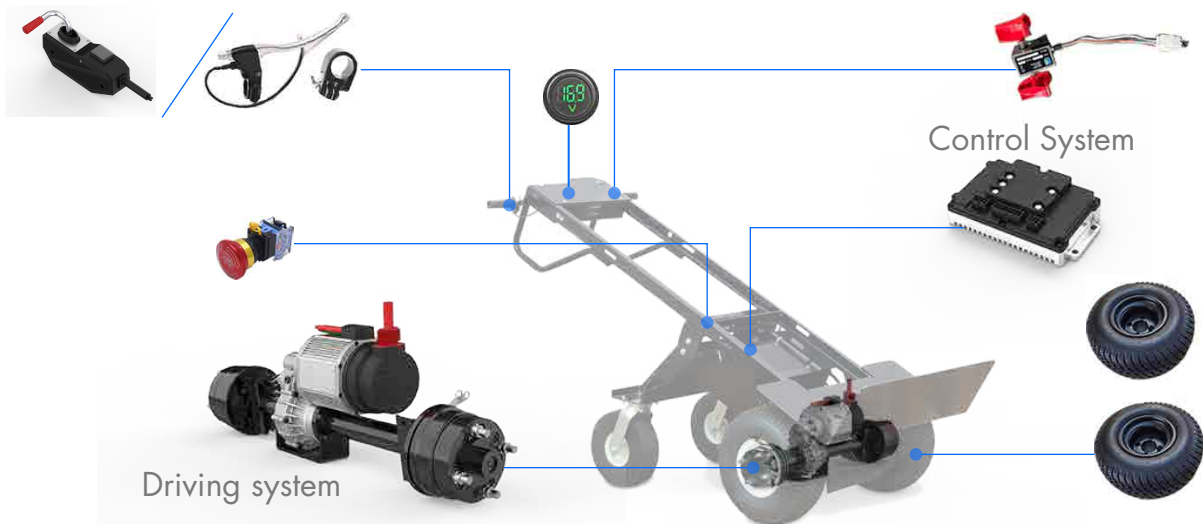


Rated voltage	Continuous current	Peak current	CAN/SCI communication	Size
DC 24V/36V/48V	60 min ¹ 60A 1 min ² 100A	10 sec 140A	YES	189x102x54mm

Accessories

Wheel	Emergency Switch	Accelerator Handle	Waterproof Switch	Brake Handle	Voltage Indicator

Electric dollys Control System and Drive System Solution



ZHONGSHAN ROTON INTELLIGENT TECHNOLOGY CO.,LTD

+86-18022183568

richh@rotontec.com

19 Renqian Road, Sanxiang Town, Zhongshan City, Guangdong Province, China